

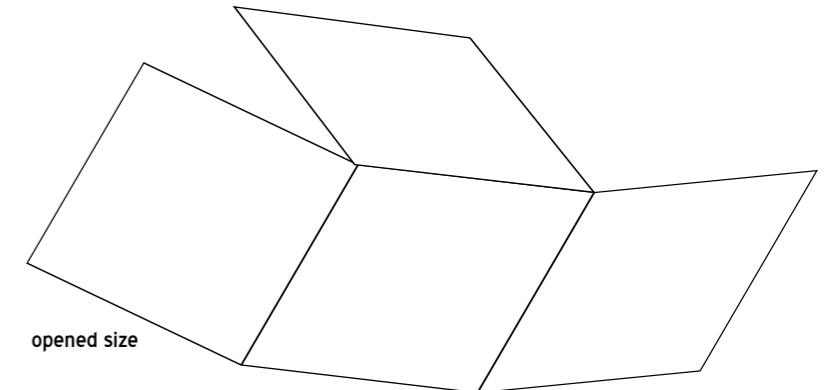
Cover



Delighting You Always

VB-C500VD  
NETWORK CAMERA

A square shape brochure  
closed size: 14 x 14 cm



opened size

## VB-C500VD Specification

CAMERA PART		SERVER PART	
<b>Image Sensor</b>	1/4-inch CCD (primary color filter)	<b>Video Compression Method</b>	Simultaneous distribution of JPEG / MPEG-4
<b>Number of Pixels</b>	Effective 310k pixels	<b>Video Size</b>	JPEG : 640 x 480 / 320 x 240 / 160 x 120 MPEG-4 : 640 x 480 / 320 x 240
<b>Scanning Method</b>	Progressive	<b>Video Quality</b>	JPEG / MPEG-4 : 5 levels
<b>Lens</b>	Varifocal lens: Optical 2.4x lens (digital 4x)	<b>Frame Rate</b>	JPEG : can be set by each video size MPEG-4 : 30 ~ 0.1fps
<b>Focal Length</b>	f = 2.6 ~ 6.2mm	<b>Max. Frame Rate</b>	MPEG-4 : 30 / 15 / 10fps JPEG : Max. 30fps (640 x 480) <sup>*1</sup> MPEG-4 : Max. 30fps (640 x 480) <sup>*1</sup>
<b>F-number</b>	F1.1 (W) ~ F1.4 (T)	<b>Simultaneous Client Access</b>	Max. 30 clients (MPEG-4: Max. 10 clients)
<b>Viewing Angle</b>	Horizontal: 82° (W) ~ 34° (T) / Vertical: 60.5° (W) ~ 25.5° (T)	<b>Audio Compression Method</b>	G.711 μ-law (64kbps)
<b>Day / Night Switch</b>	Auto / Manual switching	<b>Audio Comm. Method</b>	Full-duplex (two-way)
<b>Min. Subject Illumination</b>	Day mode : 0.2lux ~ F1.1, color, 1/30 sec, Smart Shade Control = on (0.5lux: Smart Shade Control = off)	<b>Audio Playback</b>	Available (can play an audio file when a motion detection event or an external device input event occurs) <sup>*2</sup>
	Night mode: 0.1lux ~ F1.1, B/W, 1/30 sec, Smart Shade Control = on (0.2lux: Smart Shade Control = off)	<b>Protocol</b>	IPv4 : TCP / IP, UDP, HTTP, FTP, SNMP (MIB2), SMTP (Client), DHCP (Client), DNS (Client), ARP, ICMP, POP3, NTP, SMTP authentication, WV-HTTP (from Canon)
<b>Focus</b>	Manual	<b>IPsec</b>	IPv6 : TCP / IP, UDP, HTTP, FTP, SMTP (Client), DNS (Client), ARP, ICMPv6, POP3, NDP, SMTP authentication, WV-HTTP (from Canon)
<b>Focus Range</b>	0.7 m closest ~ ∞ (common for Day mode and Night mode)	<b>Camera Control</b>	Available 3 user levels available (Administrator / Authorized user / Guest user)
<b>Shutter Speed</b>	1/1 ~ 1/8000 sec	<b>Access Control</b>	Up to 50 user names and passwords can be registered Access control (user name & password) / IP address control (IPv4) / Simultaneous client access control
<b>Auto Exposure</b>	Auto / Flickerless / Shutter-speed (12 levels: 1/8 ~ 1/8000 sec)	<b>Motion Detection</b>	Available (up to 4 detection areas can be set in a frame)
<b>White Balance</b>	Auto / Light Source (6 types) / Lock (One-shot WB)	<b>JPEG Image Upload</b>	FTP / HTTP / SMTP (e-mail)
<b>Metering Mode</b>	3 options (Center-weighted / Average / Spot)	<b>Event Notification</b>	In-camera buffer memory for upload: Max. 4MB, Max. 10fps
<b>Exposure Compensation</b>	7 levels	<b>Language</b>	HTTP / SMTP (e-mail) English / French / German / Italian / Spanish / Japanese
<b>Smart Shade Control</b>	7 levels (function for increasing the brightness of shaded subjects in an image with sharp contrast of brightness and darkness)	<b>OTHERS</b>	
<p>Angle of Pan and Tilt, Zoom and Focus are determined and fixed at the point of installation.</p>		<b>Operating Environment</b>	Temperature: -10 ~ 50° C / Humidity: 20 ~ 85% RH (no condensing)
<b>INTERFACE</b>		<b>Power Supply</b>	PoE: PoE power supply via LAN connector (IEEE802.3af compliant) AC adapter: optional PA-V17 (connect via an optional power interface cable, non-polar) External power source: AC24V / DC12V (connect via an optional interface cable, non-polar) With PoE: Max. approx. 3.3W / with optional AC adapter PA-V17: Max. approx. 3.6W 155 x 155 x 118mm Approx. 780g
<b>Network Terminal</b>	LAN x 1 (RJ45, 100Base-TX (Auto / full-duplex / half-duplex))	<b>Power Consumption</b>	External materials: Alloyed Aluminum, Dome Cover: Polycarbonate Plastics Shock Absorbing Mechanism Estimated shock resistant: 50 Joules (impact strength) <sup>*2</sup> based on Canon's test method
<b>Audio Input Terminal (common for LINE IN &amp; MIC IN)</b>	ø3.5 mini-jack connector (monaural) (connect via an optional Interface cable) LINE IN / MIC IN can be switched in the setting page LINE IN x 1 (connect to an amplifier microphone) or MIC IN x 1 (connect to a microphone w/o amplifier)	<b>Dimensions (W x D x H)</b>	
<b>Audio Output Terminal (LINE OUT)</b>	ø3.5 mini-jack connector (monaural) (connect via an optional Interface cable) LINE OUT x 1 (connect to an amplifier speaker)	<b>Weight</b>	
<b>External Device I/O Terminals</b>	Input x 2 / Output x 2 (connect via an optional Interface cable)	<b>Impact Resistance</b>	

<sup>\*1</sup> The frame rate may be reduced due to Viewer PC's specs, the number of clients accessing at the same time, network loads, or other reasons.  
<sup>\*2</sup> A separately-sold amplifier speaker is necessary for playing audio files.



SOUTH & SOUTHEAST ASIA  
REGIONAL HEADQUARTERS

CANON SINGAPORE PTE. LTD.  
1 HarbourFront Avenue #04-01 Keppel Bay Tower Singapore 098632  
Tel: 65-6799-8888 Fax: 65-6221-7577 www.canon-asia.com

**BANGLADESH**  
J.A.N. Associates  
Tel : 880-2-8611444  
Fax : 880-2-8610410

**INDONESIA**  
P.T. Datascrip  
Tel : 62-21-6544515  
Fax : 62-21-6544811  
www.canon.co.id

**NEPAL**  
International Electronics  
Concern (P) Ltd.  
Tel : 977-1-4421991  
Fax : 977-1-4421909

**THAILAND**  
Canon Marketing  
(Thailand) Co. Ltd.  
Tel : 66-2-3449999  
Fax : 66-2-3449910  
www.canon.co.th

**BRUNEI**  
Interhouse Company  
Tel : 673-2-653001  
Fax : 673-2-653003

**MALAYSIA**  
Canon Marketing  
(Malaysia) Sdn. Bhd.  
Tel : 60-3-78446000  
Fax : 60-3-78450505  
www.canon.com.my

**PAKISTAN**  
Mega Business Machines  
Tel : 9221-34302026-7  
Fax : 9221-34386308

**VIETNAM**  
Canon Singapore Pte. Ltd.  
Ho Chi Minh City  
Representative Office  
& Showroom  
Tel : 84-8-8200466  
Fax : 84-8-8200477

**CAMBODIA**  
Cemtes (Cambodia) Pte. Ltd.  
Tel : 855-23-214229  
Fax : 855-23-217357

**MALDIVES**  
SIMDI Company Pvt. Ltd.  
Tel : 960-324819  
Fax : 960-318433

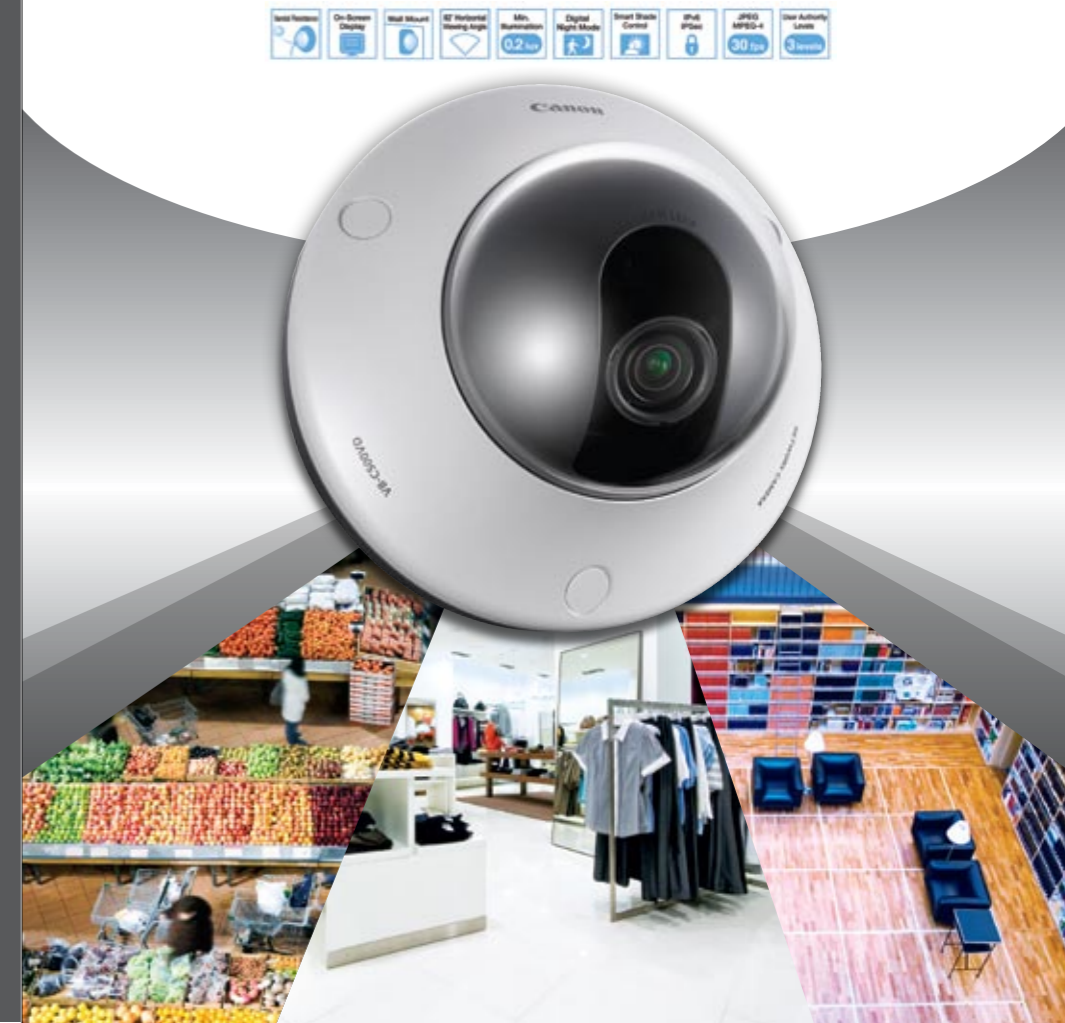
**SINGAPORE**  
Canon Singapore Pte. Ltd.  
Domestic Operations  
Tel : 65-6799-8888  
Fax : 65-6221-7577  
www.canon.com.sg

**HANOI REPRESENTATIVE OFFICE**  
Tel : 84-4-7711677  
Fax : 84-4-7711678  
www.canon.com.vn

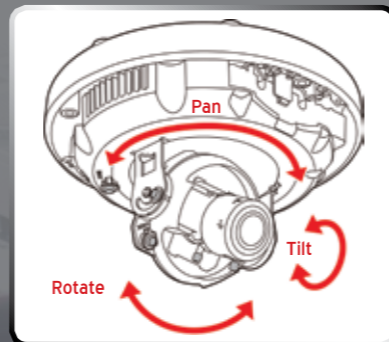
**INDIA**  
Canon India Pvt. Ltd.  
Tel : 91-124-4160000  
Fax : 91-124-4160011  
www.canon.co.in

**MYANMAR**  
Accel International  
Company Ltd.  
Tel : 95-1-202092/3/4  
Fax : 95-1-202079

**SRI LANKA**  
Metropolitan Computers  
(Pvt.) Ltd.  
Tel : 94-11-2437797  
Fax : 94-11-2448980



## FLEXIBLE INSTALLATION



### Versatile Pan Tilt Rotation Movement

With an ultra-wide coverage of pan (350°), tilt (150°), and rotation (350°), the camera angle of the VB-C500VD can be easily adjusted during installation even when mounted on a ceiling or wall.

### Easy Installation with PoE

Power over Ethernet (PoE) technology enables the VB-C500VD to receive both data and power through a single LAN cable. Once the camera is connected to a PoE-enabled hub, no additional electrical installation work is required.

## MONITOR ANY ENVIRONMENT

### Vandal Resistant Dome



VB-C500VD shock-absorbing mechanism

By using shock-resistant materials in its design and a unique shock-absorbing mechanism, the VB-C500VD is extremely durable and able to withstand hard knocks and bumps up to an impact of 50 joules. This makes it well-suited for use at locations prone to accidents or mischief.

### Wide-Angle 2.4x Optical Zoom Lens

With a wide horizontal viewing angle of 82°, the VB-C500VD is ideal for monitoring areas of any size — from shopping malls and offices, to retail stores and ATMs. In addition, a 2.4x optical zoom (4x digital) allows close-up viewing when required.



## HIGH-QUALITY VIDEO STREAMING

### Outstanding Low-Light Performance



Digital Night Mode OFF



Digital Night Mode ON

The VB-C500VD captures clear full-color videos even in low light environments. For greater clarity, the camera can automatically switch to Digital Night Mode which records monochrome videos with minimal noise in as little as 0.1 lux of light.

### Clear Details with Smart Shade Control



Smart Shade Control OFF



Smart Shade Control ON

Smart Shade Control automatically adjusts the contrast of dark areas in the image so that the background and foreground can be clearly seen, even in sunny conditions.



### Superior Video Quality with DIGIC NET

The VB-C500VD's powerful DIGIC NET processor is capable of high quality video streaming at 30fps. Video can also be simultaneously streamed in three sizes — 640 x 480, 320 x 240, and 160 x 120 — depending on viewing requirements.



## COMPLETE SURVEILLANCE FEATURES

### Motion Detection Notification

If movement is detected or if an external device is triggered, the network camera can be programmed to automatically send the captured images to a pre-specified destination via FTP, HTTP or SMTP (email).



### Intuitive Viewing Software

The VB-C500VD comes bundled with VK-Lite, a software application that lets you monitor, record, and playback images from up to four cameras from a single screen.



VK-LITE software

For users with greater surveillance requirements, the VK-64 Network Video Recorder\* supports up to 64 Canon network cameras on one storage server.

\*Sold separately

### Simultaneous Two-Way Audio

The VB-C500VD can transmit audio in real-time both to and from an authorized networked PC, allowing administrators to listen in on a camera site, make announcements, or do both at the same time with the bundled VK-Lite Viewer software.

### On-Screen Display

For easy identification, information such as date, time, camera name, or any custom text up to 15 characters can be embedded into the video.



Video with embedded info